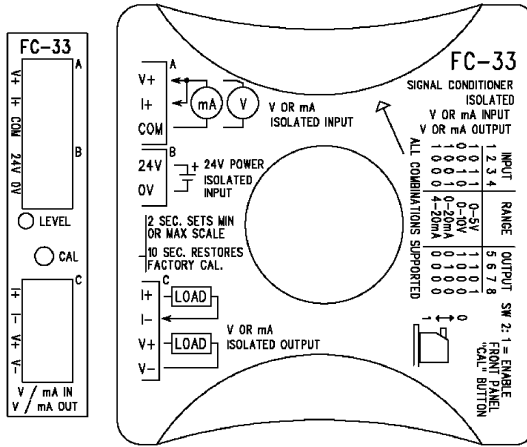


DC Selectable Input, Isolated Signal Conditioner



Description

The FC-33 is a DIN rail mount, selectable input / output signal conditioner with 1500VDC isolation between input and output and 1500VDC isolation from 24 volt power and input / output. The field configurable input/output types allow a wide ranging capability for 0 - 5V, 0 - 10V, 0 - 20mA, 4 - 20mA .

The FC-33 has user selectable factory-calibration, but also has OFFSET (zero) and SPAN (full scale) adjustments of the output signal. . The OFFSET (zero) has an adjustment range of 0 to 25% of full scale input, the SPAN (full scale) has an adjustment of 80% to 102%

Application

The FC-33 field configurable isolated input/output signal conditioner is useful in eliminating ground loops and interfacing sensors to our PLC analog input modules. The FC-33 has 3 way isolation, this feature solves many types of configuration problems. For example, the signal conditioner can be configured for sinking input and sourcing output. It also allows signal translation from current input to voltage output or voltage input to current output.

This feature would be useful when you have limited type and number of channels in your system design, i.e. 8 channels of 4-20mA, 7 which are used and one transmitter that is 0 - 10V .

LEVEL LED

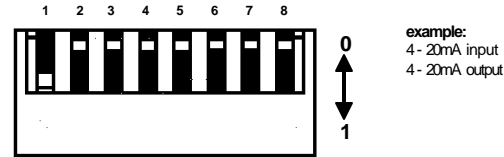
This LED is a powerful tool when setting up the signal conditioner. During normal operation the LED will blink at a proportional rate to the selected input signal level. When performing field calibration the LED is used for indication of the internal calibration process.

CAL - Pushbutton

This pushbutton along with various switch settings, allows you to calibrate the signal conditioner for your application or restore factory default calibration.

Input Selection

The signal conditioner can be configured for either DC milliamps or DC volts. Input and Output signal types are 0 - 5V, 0 - 10V, 0 - 20mA , 4 - 20mA .



Input Ranges	Output Ranges	Switch Position							
		1	2	3	4	5	6	7	8
0 - 5V		1	0	1	1				
0 - 10V		0	0	1	0				
0 - 20mA		1	0	0	1				
4 - 20mA		1	0	0	0				
	0 - 5V					1	1	0	1
	0 - 10V					1	0	0	0
	0 - 20mA					0	1	0	0
	4 - 20mA					0	0	0	0
Factory Default Settings									
4 - 20mA	4 - 20mA	1	0	0	0	0	0	0	0

Specifications	
Input Ranges	0-5V, 0-10V, 0-20mA, 4-20mA
Input impedance	250Ω ±0.1% current input 200KΩ / 400KΩ Voltage Input
Output Ranges	0-5V, 0-10V, 0-20mA, 4-20mA
Load Impedance	2KΩ minimum, voltage output 0Ω minimum, current output
Maximum Load / Current	550Ω @ 24V sink/source
Sample Duration Time	10mS
Filter Characteristic	-3dB @ 3Hz , -6dB/octave
Linearity Error	0.05% FSO maximum
Stability	0.05% FSO maximum

Note: All data 0° - 60° C except where specified.
¹ Internal Analog convertor resolution is 12 - bit.

CAUTION: PRODUCT MAY BE DAMAGED IF CURRENT OUTPUT (I+/-) AND VOLTAGE OUTPUT(V+/-) ARE BOTH CONNECTED TO LOADS. DO NOT TIE THE I+ TERMINAL TO THE V- TERMINAL.

Adjustments

The FC-33 has built-in self-calibration, but also has OFFSET (zero) and SPAN (full scale) adjustment of the input signal. If your application requires, different span or offset (i.e. 3.6mA offset and 19.6mA span) you can adjust accordingly.

Application adjustments

Calibrating the input signal level -

1. Select the signal range (i.e. 4 - 20mA).
2. Connect 24 volt power to the signal conditioner.
3. Connect the minimum input signal level.
4. Turn Switch **2 ON**, press and hold the CAL pushbutton until the LEVEL LED comes ON steady (approx. 3 seconds), then release immediately. If the pushbutton is NOT released while the Level LED is ON steady, the signal conditioner will return to factory calibration.
5. Repeat above sequence for maximum input signal.
6. Turn Switch **2 OFF**.

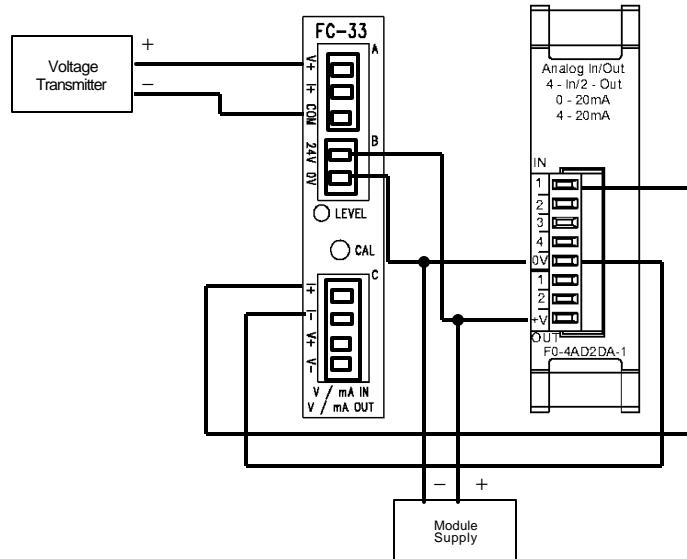
To return to factory calibration-

1. Turn switch **2 ON**, press and hold the CAL pushbutton until the LEVEL LED comes ON steady and then starts flashing (approx. 10 seconds), then release the pushbutton. The unit has now been returned to factory calibration.
2. Turn Switch **2 OFF**.

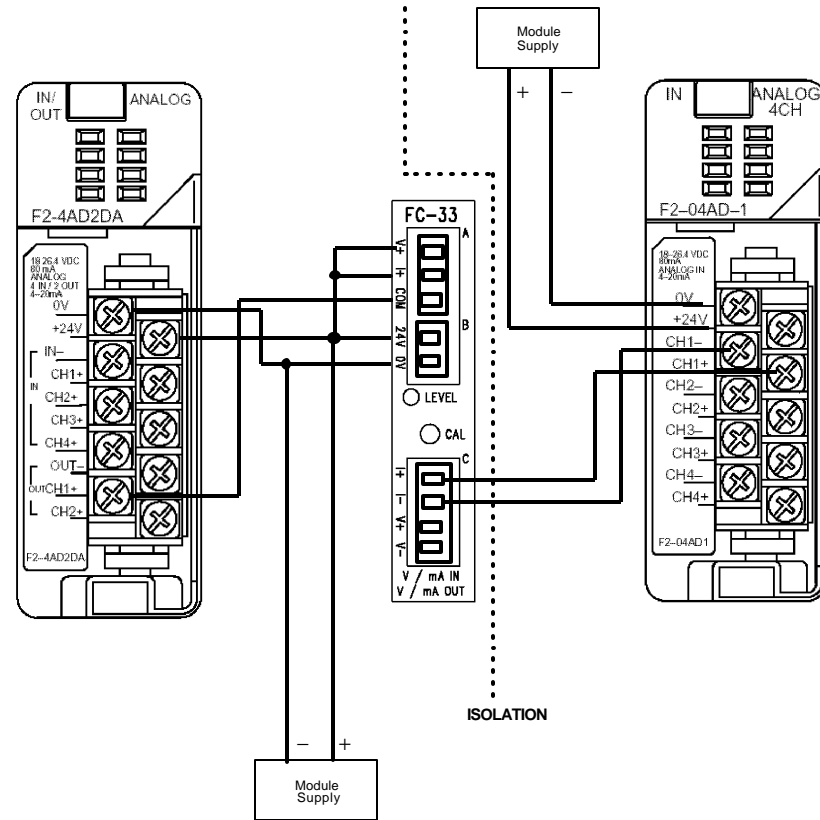
General Specifications	
Accuracy vs. Temperature	± 0.005% / °C (50ppm/°C)
Input Power	24VDC ±10% @ 50mA
Recommended Fuse	0.032A Littelfuse Series 217 current inputs
Isolation	1500VDC input - output 1500VDC power - input 1500VDC power - output * applied for 1 second
Maximum Inaccuracy of output (Includes offset,span,linearity)	0.05% FSO @ 25°C 0.25% FSO @ 0 - 60°C
Output Current	21mA maximum (for mA output)
Approx. field cal. range	0 - 25% (0 - 1.5V / 5V mode) 80% - 102% (4 - 5.1V / 5V mode)

Operating Temperature	0 to 60°C (32 to 140°F)
Storage Temperature	-20 to 70°C (-4 to 158°F)
Relative Humidity	5 to 90% (non-condensing)
Environmental air	No corrosive gases permitted
Vibration	MIL STD 810C 514.2
Shock	MIL STD 810C 516.2
Noise Immunity	NEVA ICS3-304

Typical Connection -



Voltage Input and Current Output (example)



4 - 20 mA Sinking Output to Isolated 4-20 mA Sinking Input (example)

THIS EQUIPMENT IS SUITABLE FOR USE IN CLASS I, DIVISION 2, GROUPS A, B, C AND D OR NON-HAZARDOUS LOCATIONS ONLY.
 WARNING - EXPLOSION HAZARD - SUBSTITUTION OF COMPONENTS MAY IMPAIR SUITABILITY FOR CLASS I, DIVISION 2 / ZONE 2.
 WARNING - EXPLOSION HAZARD - DO NOT DISCONNECT EQUIPMENT UNLESS POWER HAS BEEN SWITCHED OFF OR THE AREA IS KNOWN TO BE NON-HAZARDOUS.