



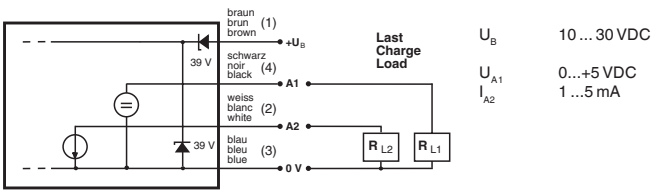
Metal sensing proximity switch

Type Analog output model

Part number **AT9-05-1A**

Switching distance  $s_n$  **0 ... 20 mm**

Wiring



CiVADC14



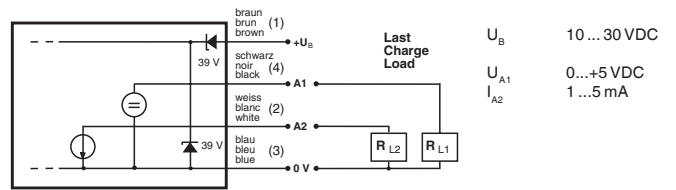
Metal sensing proximity switch

Type Analog output model

Part number **AT9-05-1A**

Switching distance  $s_n$  **0 ... 20 mm**

Wiring



CiVADC14



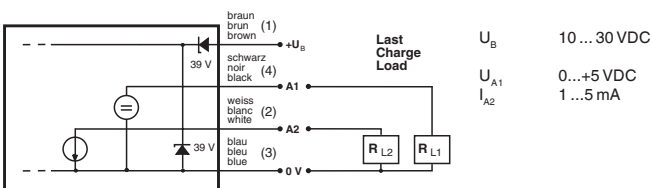
Metal sensing proximity switch

Type Analog output model

Part number **AT9-05-1A**

Switching distance  $s_n$  **0 ... 20 mm**

Wiring



CiVADC14



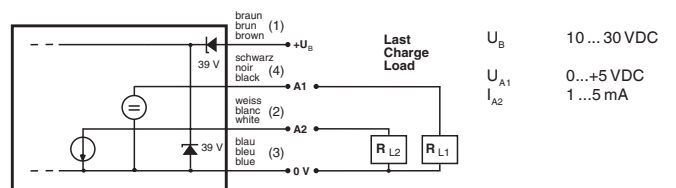
Metal sensing proximity switch

Type Analog output model

Part number **AT9-05-1A**

Switching distance  $s_n$  **0 ... 20 mm**

Wiring



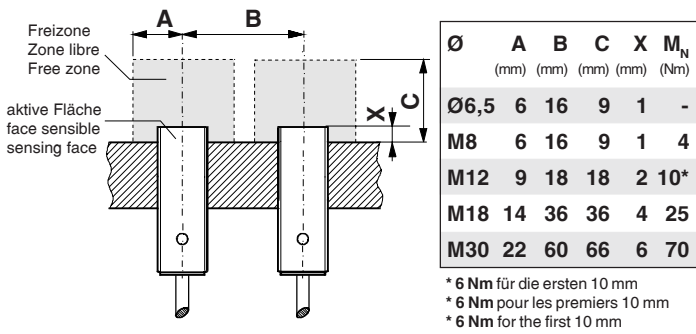
CiVADC14



## Mounting recommendations

### Free zone

Providing the following free zones is mandatory for reliable operation.



### Sensing range

The effective usable sensing range is

$$0 < s_r < 0.81 s_n$$

measured with the square standard target with  $l = \varnothing_a$   
 or  $l = 3 \times s_n$ .

### Tightening torque

The specified maximum tightening torque  $M_N$  should not be exceeded.

### Sensing face

The sensing face should not be mechanically damaged.

### Safety

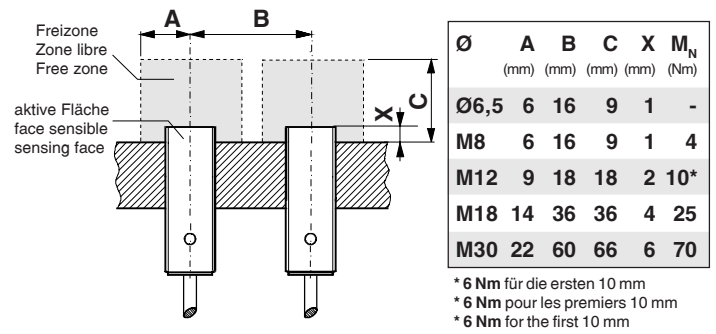
These Proximity Switches are not suited for safety related applications.

CIRADC12

## Mounting recommendations

### Free zone

Providing the following free zones is mandatory for reliable operation.



### Sensing range

The effective usable sensing range is

$$0 < s_r < 0.81 s_n$$

measured with the square standard target with  $l = \varnothing_a$   
 or  $l = 3 \times s_n$ .

### Tightening torque

The specified maximum tightening torque  $M_N$  should not be exceeded.

### Sensing face

The sensing face should not be mechanically damaged.

### Safety

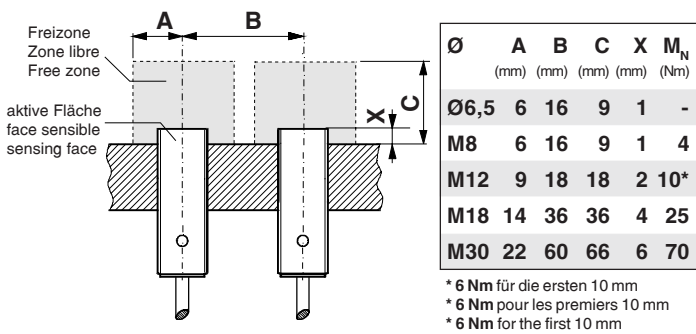
These Proximity Switches are not suited for safety related applications.

CIRADC12

## Mounting recommendations

### Free zone

Providing the following free zones is mandatory for reliable operation.



### Sensing range

The effective usable sensing range is

$$0 < s_r < 0.81 s_n$$

measured with the square standard target with  $l = \varnothing_a$   
 or  $l = 3 \times s_n$ .

### Tightening torque

The specified maximum tightening torque  $M_N$  should not be exceeded.

### Sensing face

The sensing face should not be mechanically damaged.

### Safety

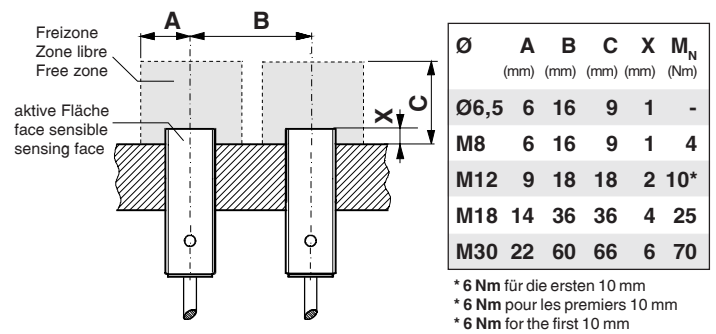
These Proximity Switches are not suited for safety related applications.

CIRADC12

## Mounting recommendations

### Free zone

Providing the following free zones is mandatory for reliable operation.



### Sensing range

The effective usable sensing range is

$$0 < s_r < 0.81 s_n$$

measured with the square standard target with  $l = \varnothing_a$   
 or  $l = 3 \times s_n$ .

### Tightening torque

The specified maximum tightening torque  $M_N$  should not be exceeded.

### Sensing face

The sensing face should not be mechanically damaged.

### Safety

These Proximity Switches are not suited for safety related applications.

CIRADC12



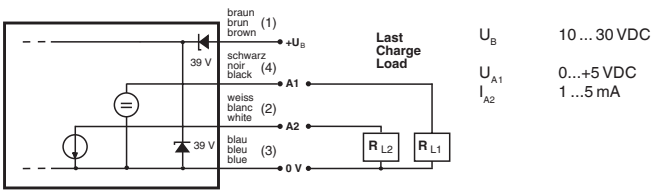
Metal sensing proximity switch

Type Analog output model

Part number **AT9-05-1H**

Switching distance  $s_n$  **0 ... 20 mm**

Wiring



CiVADC14



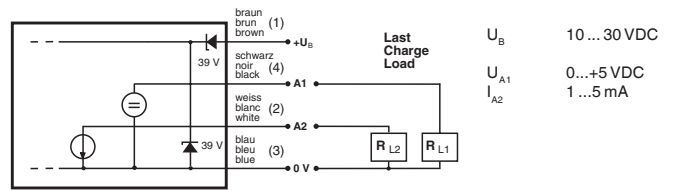
Metal sensing proximity switch

Type Analog output model

Part number **AT9-05-1H**

Switching distance  $s_n$  **0 ... 20 mm**

Wiring



CiVADC14



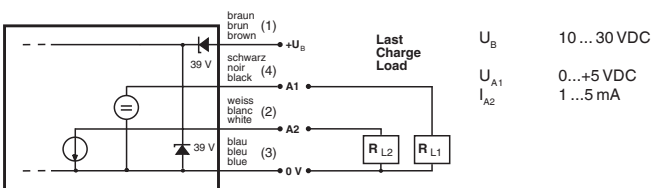
Metal sensing proximity switch

Type Analog output model

Part number **AT9-05-1H**

Switching distance  $s_n$  **0 ... 20 mm**

Wiring



CiVADC14



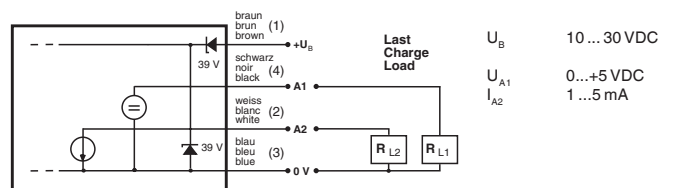
Metal sensing proximity switch

Type Analog output model

Part number **AT9-05-1H**

Switching distance  $s_n$  **0 ... 20 mm**

Wiring



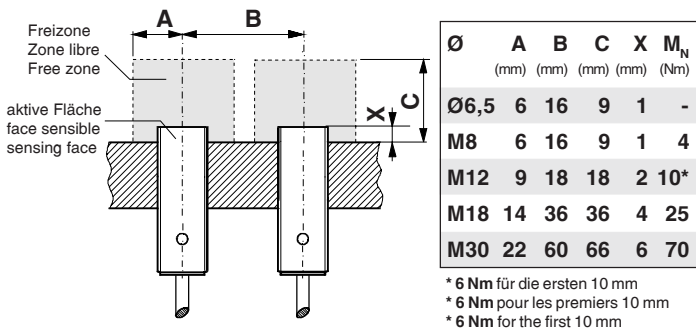
CiVADC14



## Mounting recommendations

### Free zone

Providing the following free zones is mandatory for reliable operation.



### Sensing range

The effective usable sensing range is

$$0 < s_r < 0.81 s_n$$

measured with the square standard target with  $l = \varnothing_a$   
 or  $l = 3 \times s_n$ .

### Tightening torque

The specified maximum tightening torque  $M_N$  should not be exceeded.

### Sensing face

The sensing face should not be mechanically damaged.

### Safety

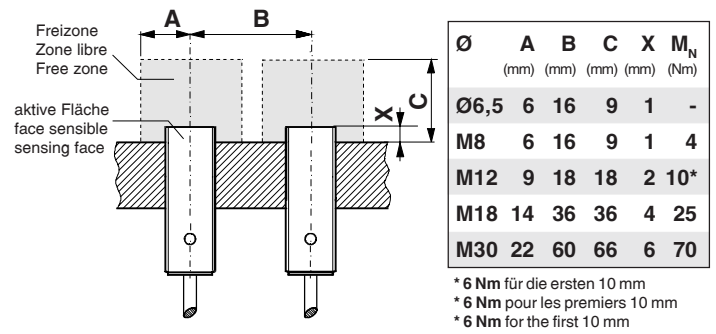
These Proximity Switches are not suited for safety related applications.

CIRADC12

## Mounting recommendations

### Free zone

Providing the following free zones is mandatory for reliable operation.



### Sensing range

The effective usable sensing range is

$$0 < s_r < 0.81 s_n$$

measured with the square standard target with  $l = \varnothing_a$   
 or  $l = 3 \times s_n$ .

### Tightening torque

The specified maximum tightening torque  $M_N$  should not be exceeded.

### Sensing face

The sensing face should not be mechanically damaged.

### Safety

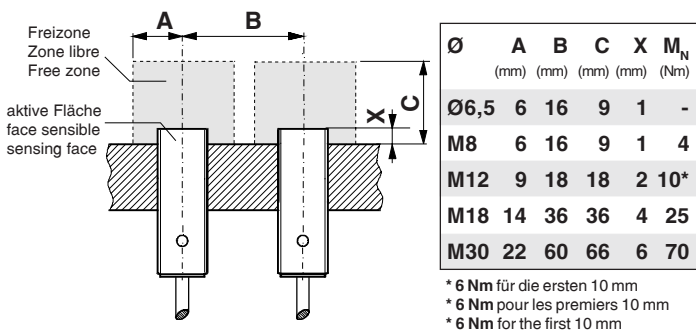
These Proximity Switches are not suited for safety related applications.

CIRADC12

## Mounting recommendations

### Free zone

Providing the following free zones is mandatory for reliable operation.



### Sensing range

The effective usable sensing range is

$$0 < s_r < 0.81 s_n$$

measured with the square standard target with  $l = \varnothing_a$   
 or  $l = 3 \times s_n$ .

### Tightening torque

The specified maximum tightening torque  $M_N$  should not be exceeded.

### Sensing face

The sensing face should not be mechanically damaged.

### Safety

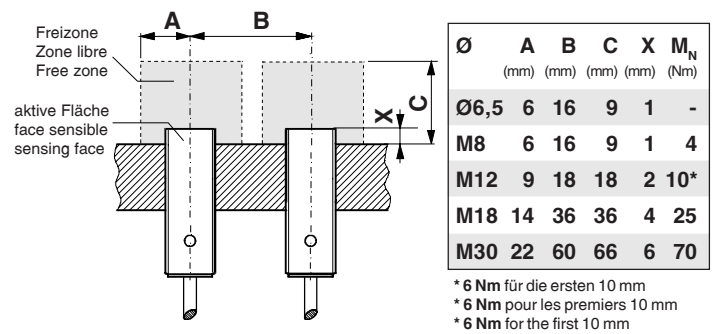
These Proximity Switches are not suited for safety related applications.

CIRADC12

## Mounting recommendations

### Free zone

Providing the following free zones is mandatory for reliable operation.



### Sensing range

The effective usable sensing range is

$$0 < s_r < 0.81 s_n$$

measured with the square standard target with  $l = \varnothing_a$   
 or  $l = 3 \times s_n$ .

### Tightening torque

The specified maximum tightening torque  $M_N$  should not be exceeded.

### Sensing face

The sensing face should not be mechanically damaged.

### Safety

These Proximity Switches are not suited for safety related applications.

CIRADC12



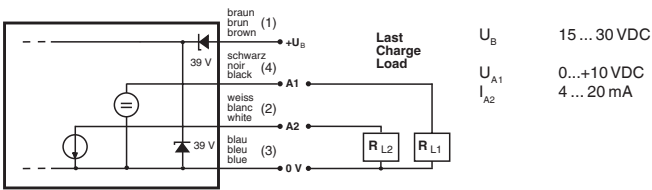
Metal sensing proximity switch

Type Analog output model

Part number **AT9-10-1A**

Switching distance  $s_n$  **0 ... 20 mm**

Wiring



CiVADC14



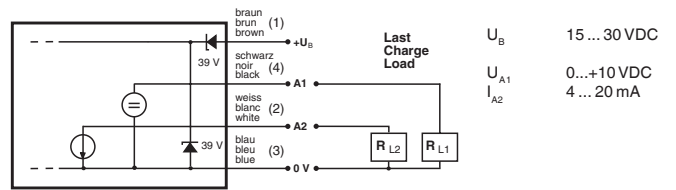
Metal sensing proximity switch

Type Analog output model

Part number **AT9-10-1A**

Switching distance  $s_n$  **0 ... 20 mm**

Wiring



CiVADC14



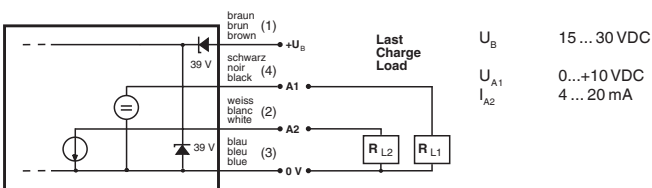
Metal sensing proximity switch

Type Analog output model

Part number **AT9-10-1A**

Switching distance  $s_n$  **0 ... 20 mm**

Wiring



CiVADC14



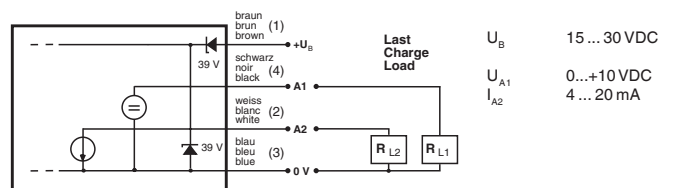
Metal sensing proximity switch

Type Analog output model

Part number **AT9-10-1A**

Switching distance  $s_n$  **0 ... 20 mm**

Wiring



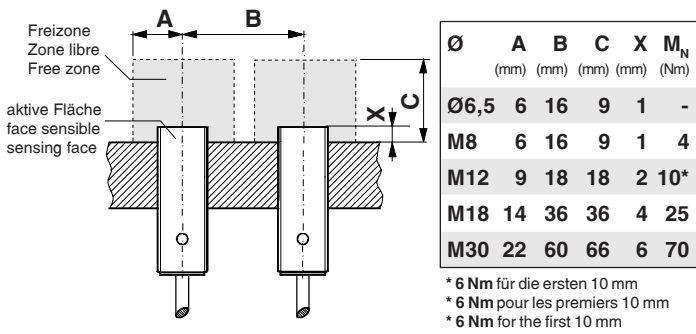
CiVADC14



## Mounting recommendations

### Free zone

Providing the following free zones is mandatory for reliable operation.



### Sensing range

The effective usable sensing range is

$$0 < s_r < 0.81 s_n$$

measured with the square standard target with  $l = \varnothing_a$   
 or  $l = 3 \times s_n$ .

### Tightening torque

The specified maximum tightening torque  $M_N$  should not be exceeded.

### Sensing face

The sensing face should not be mechanically damaged.

### Safety

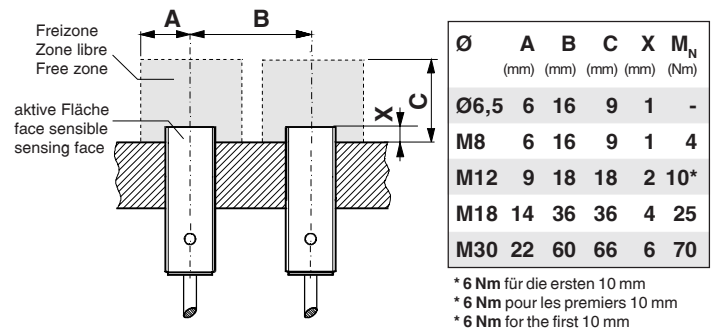
These Proximity Switches are not suited for safety related applications.

CIRADC12

## Mounting recommendations

### Free zone

Providing the following free zones is mandatory for reliable operation.



### Sensing range

The effective usable sensing range is

$$0 < s_r < 0.81 s_n$$

measured with the square standard target with  $l = \varnothing_a$   
 or  $l = 3 \times s_n$ .

### Tightening torque

The specified maximum tightening torque  $M_N$  should not be exceeded.

### Sensing face

The sensing face should not be mechanically damaged.

### Safety

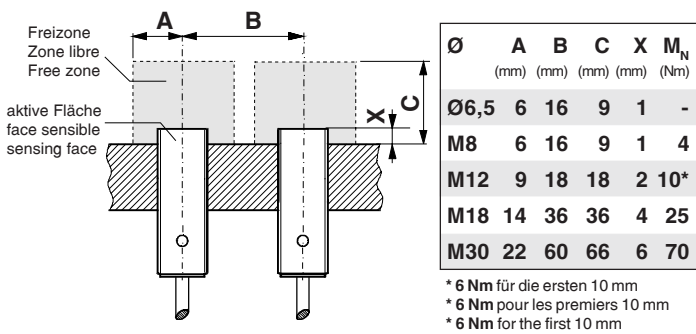
These Proximity Switches are not suited for safety related applications.

CIRADC12

## Mounting recommendations

### Free zone

Providing the following free zones is mandatory for reliable operation.



### Sensing range

The effective usable sensing range is

$$0 < s_r < 0.81 s_n$$

measured with the square standard target with  $l = \varnothing_a$   
 or  $l = 3 \times s_n$ .

### Tightening torque

The specified maximum tightening torque  $M_N$  should not be exceeded.

### Sensing face

The sensing face should not be mechanically damaged.

### Safety

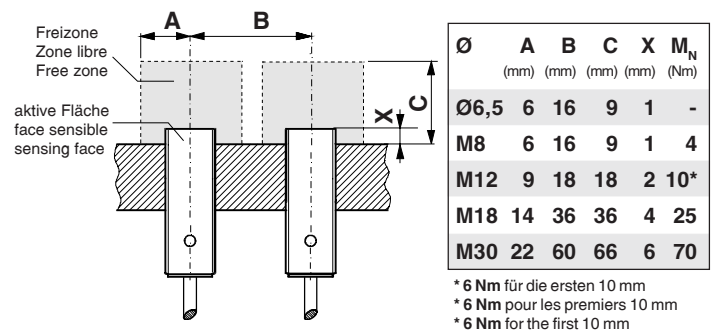
These Proximity Switches are not suited for safety related applications.

CIRADC12

## Mounting recommendations

### Free zone

Providing the following free zones is mandatory for reliable operation.



### Sensing range

The effective usable sensing range is

$$0 < s_r < 0.81 s_n$$

measured with the square standard target with  $l = \varnothing_a$   
 or  $l = 3 \times s_n$ .

### Tightening torque

The specified maximum tightening torque  $M_N$  should not be exceeded.

### Sensing face

The sensing face should not be mechanically damaged.

### Safety

These Proximity Switches are not suited for safety related applications.

CIRADC12



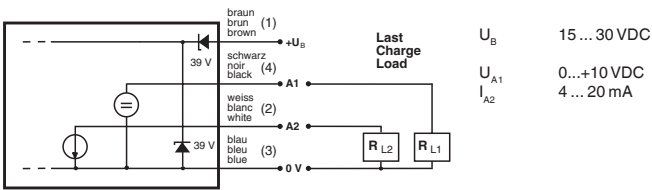
Metal sensing proximity switch

Type Analog output model

Part number **AT9-10-1H**

Switching distance  $s_n$  **0 ... 20 mm**

Wiring



CiVADC14



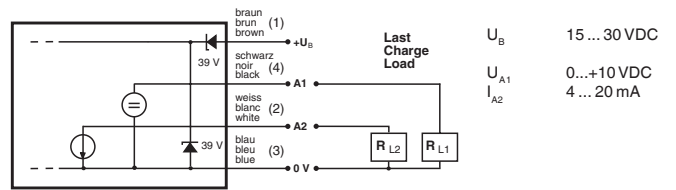
Metal sensing proximity switch

Type Analog output model

Part number **AT9-10-1H**

Switching distance  $s_n$  **0 ... 20 mm**

Wiring



CiVADC14



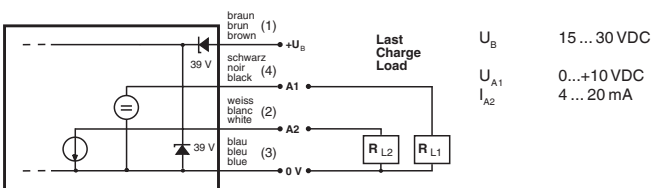
Metal sensing proximity switch

Type Analog output model

Part number **AT9-10-1H**

Switching distance  $s_n$  **0 ... 20 mm**

Wiring



CiVADC14



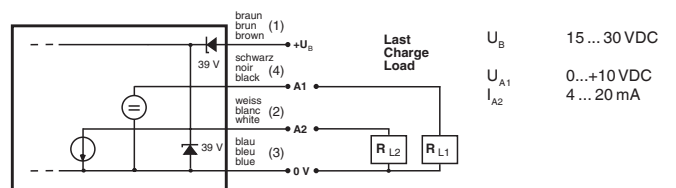
Metal sensing proximity switch

Type Analog output model

Part number **AT9-10-1H**

Switching distance  $s_n$  **0 ... 20 mm**

Wiring



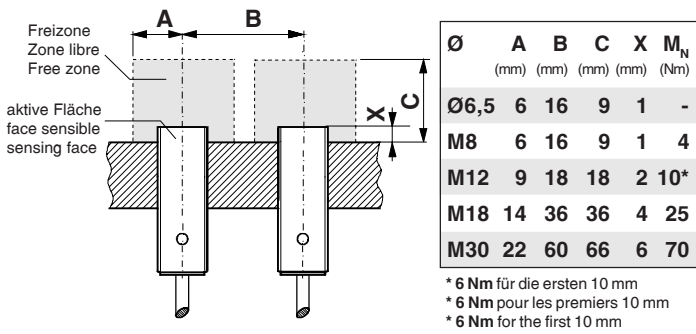
CiVADC14



## Mounting recommendations

### Free zone

Providing the following free zones is mandatory for reliable operation.



### Sensing range

The effective usable sensing range is

$$0 < s_r < 0.81 s_n$$

measured with the square standard target with  $l = \varnothing_a$   
 or  $l = 3 \times s_n$ .

### Tightening torque

The specified maximum tightening torque  $M_N$  should not be exceeded.

### Sensing face

The sensing face should not be mechanically damaged.

### Safety

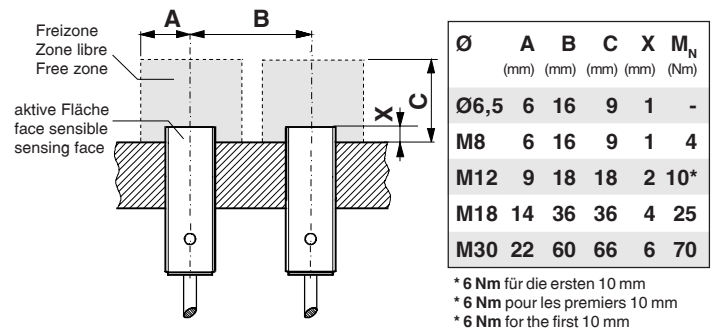
These Proximity Switches are not suited for safety related applications.

CIRADC12

## Mounting recommendations

### Free zone

Providing the following free zones is mandatory for reliable operation.



### Sensing range

The effective usable sensing range is

$$0 < s_r < 0.81 s_n$$

measured with the square standard target with  $l = \varnothing_a$   
 or  $l = 3 \times s_n$ .

### Tightening torque

The specified maximum tightening torque  $M_N$  should not be exceeded.

### Sensing face

The sensing face should not be mechanically damaged.

### Safety

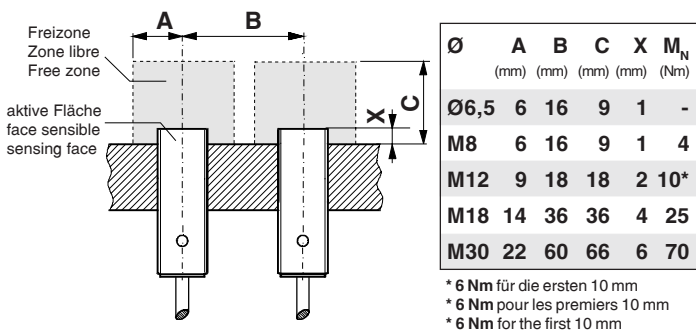
These Proximity Switches are not suited for safety related applications.

CIRADC12

## Mounting recommendations

### Free zone

Providing the following free zones is mandatory for reliable operation.



### Sensing range

The effective usable sensing range is

$$0 < s_r < 0.81 s_n$$

measured with the square standard target with  $l = \varnothing_a$   
 or  $l = 3 \times s_n$ .

### Tightening torque

The specified maximum tightening torque  $M_N$  should not be exceeded.

### Sensing face

The sensing face should not be mechanically damaged.

### Safety

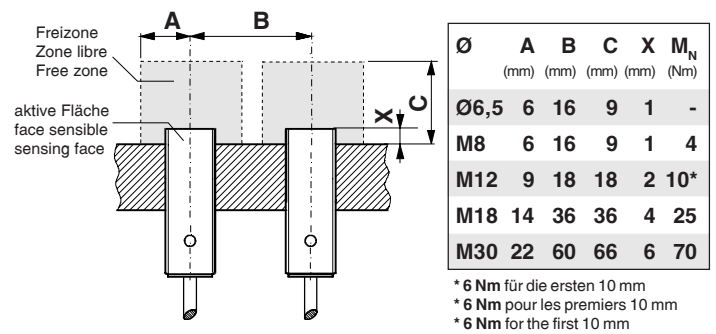
These Proximity Switches are not suited for safety related applications.

CIRADC12

## Mounting recommendations

### Free zone

Providing the following free zones is mandatory for reliable operation.



### Sensing range

The effective usable sensing range is

$$0 < s_r < 0.81 s_n$$

measured with the square standard target with  $l = \varnothing_a$   
 or  $l = 3 \times s_n$ .

### Tightening torque

The specified maximum tightening torque  $M_N$  should not be exceeded.

### Sensing face

The sensing face should not be mechanically damaged.

### Safety

These Proximity Switches are not suited for safety related applications.

CIRADC12